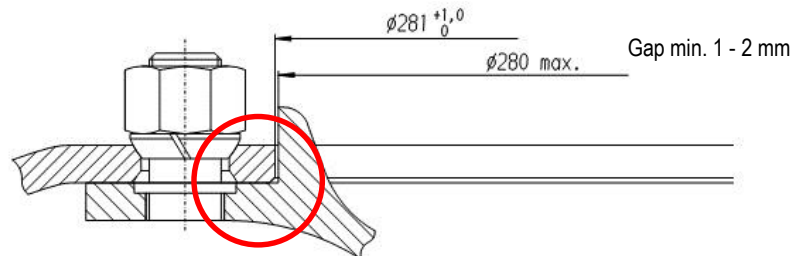


Wheel attachments

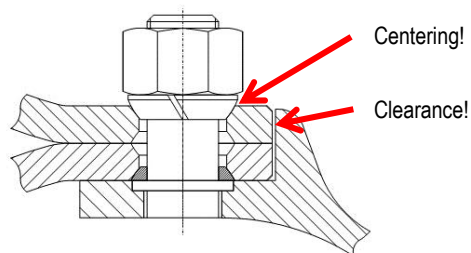
Bolt- and hub centering

Bolt centering

Example:



Example:

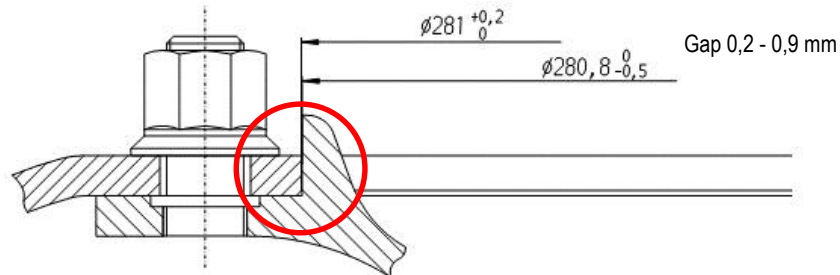


Notice: Rims for bolt centering are only allowed to run at axle, which are designed for bolt centering.

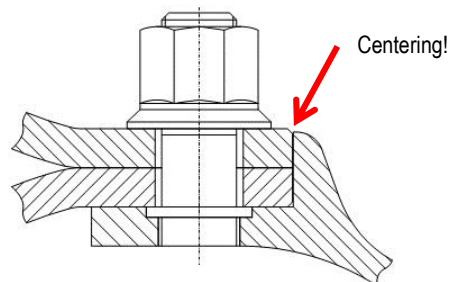
gigant-description for bolt centering according drawing: SF, ZF

Hub centering

Example:



Example:



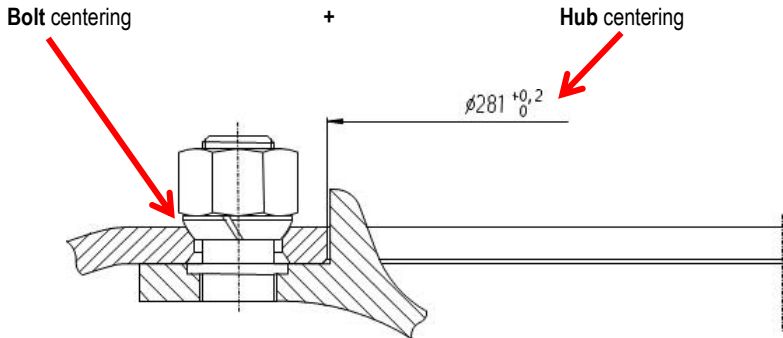
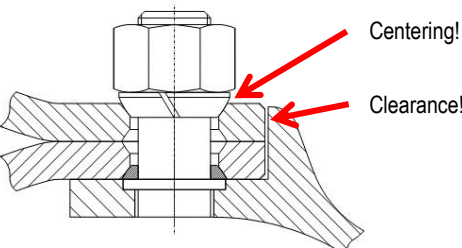
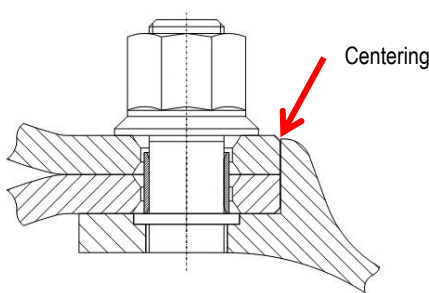
Notice: Rims for hub centering are only allowed to run at axle, which are designed for hub centering

gigant-description according drawing: SO, SAO, ZO, ZOA, SM, SAM, ZM, ZAM

Double centering

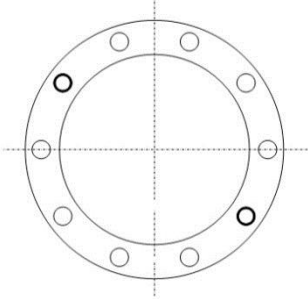
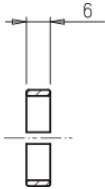

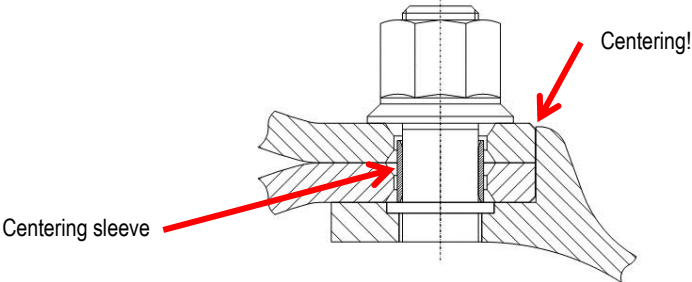
Attention:

Notice remark for axles with hub centering!

Double centering	
<p>Example:</p> 	
Use as bolt centering	Use as hub centering
<p>Example:</p> 	<p>Example:</p> 
<p>Notice:</p> <p>Rims for double centering can be used on axles designed for bolt centering.</p>	<p>Notice:</p> <p>Axles designed for hub centering with M22 wheel bolts could run with rims for double centering if they are used together with centering sleeves.</p>

Rims for double centering with hub centering designed axes:

Rims with bolt holes with spherical or conical countersink for M22 wheel bolts must run with two opposite placed centering sleeves. For M18 wheel bolts are no centering sleeves necessary.

Single tyre fastening	Twin tyre fastening
<p>Two centering sleeves at opposite wheel bolts:</p> 	
<p>Single tyres</p>  <p>Centering sleeve: 709268002</p>	<p>Twin tyres</p>  <p>Centering sleeve: 709268001</p>
<p>Example twin tyres:</p> 	

Notice:

Tightening torques according gigant – maintenance information!

The technical notification is based on the DIN 74361-1.

As a rough guide for placing the centering sleeves on the wheel bolts could be assumed, to place them approx. 5 mm in front of the drum.

This will ensure, that the mixed designed rims will be located correctly on the standard centering sleeves.

This does not disengages the trailer manufacture to assure a correct way of assembling and to check the correct placement of the centering sleeves.

Source off figures: Fa. Kronprinz GmbH