

Design change air suspension bracket GL70L, GL70, GL70HD

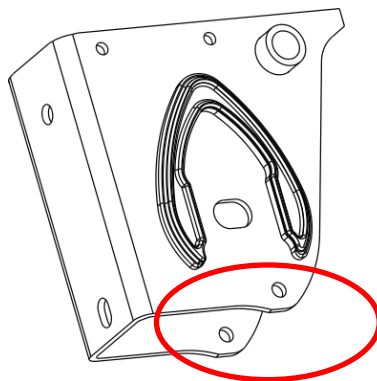
Starting in 11/2018

As part of our continuous optimising process of gigant – products we have examined the air suspension bracket of the GL70 – air suspension.

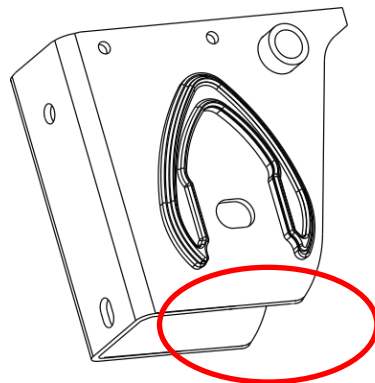
Due to the use of the axle lift with seating on the spring bolt screwing the two drills ($\varnothing 12,5$ mm) at the side plate are no longer necessary and will be kept away for the future.

With changing over to the new design for the different heights of the air suspension brackets started with the T-bracket in 11/2018. The other variants follow stepwise in 2019.

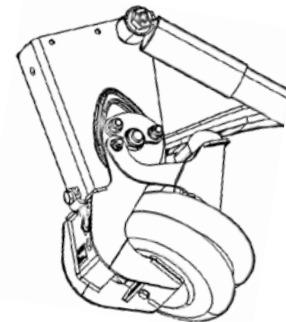
Air suspension bracket GL70 2018 old:



Air suspension bracket GL70 2018/2019 new:



Example sketch GL70, GL70HD with axle lift:



Note:

From technical view the air suspension brackets could be mixed assembled. The design change has no influence to the function of the axle lift.

Created/inspected:

Released:

2019.01.09	HU	2019.01.09	KK
Date	Signature	Date	Signature
		2019.01.14	MG
		Date	Signature