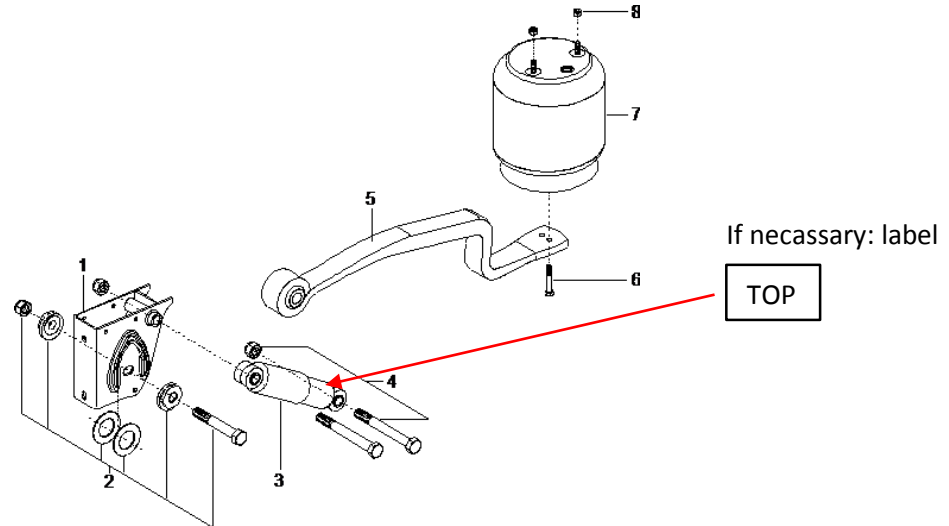


Shock absorber assembling

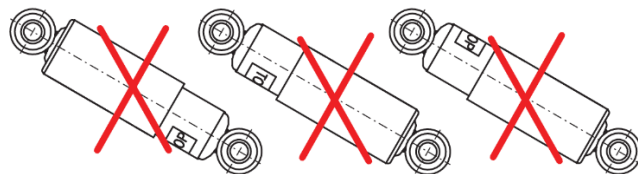
Shock absorbers, which have to be used in a specified orientation are marked with a label „TOP” on the shock absorber body.

Example figure:



Orientated shock absorbers are marked with a label „TOP” on the shock absorber body of the lower fixing point. The label „TOP” has to be orientated upwards to ensure a proper function of the shock absorber.

The shock absorber cover tube has to be assembled at the upper up to the upper fixing point.



Cover tube is always upside!

