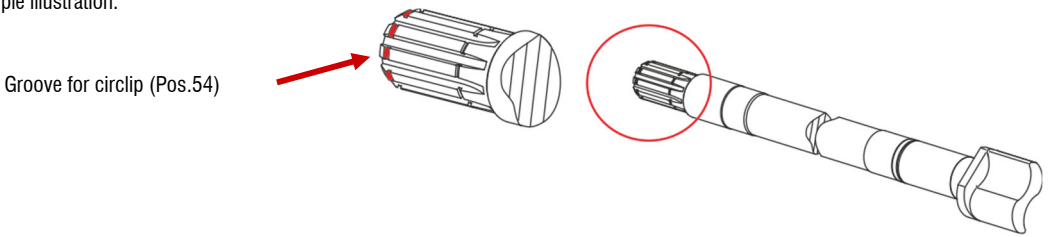
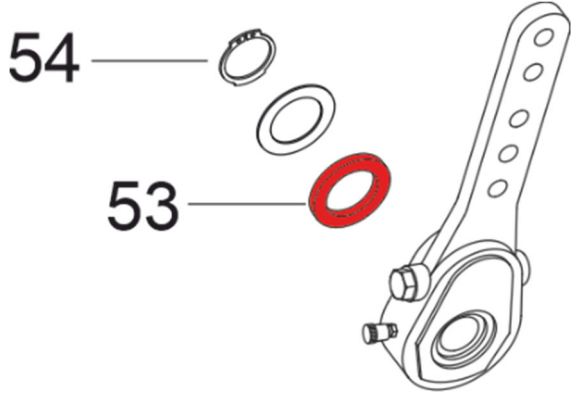
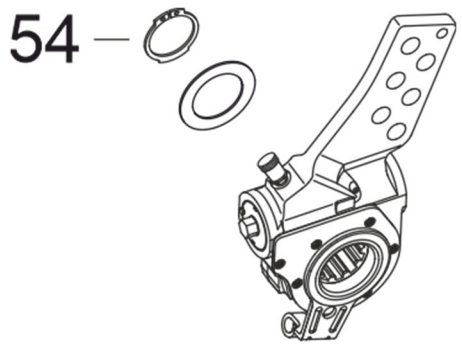


Manual slack adjuster (NGS) attachment for K3 brake camshaft

General aspects

As part of the ongoing optimisation process of gigant products, the slack adjuster's lock was changed on the K3 brake camshaft. The previous attachment with nut and washer was converted to an attachment with washer and circlip.

Compared to the automatic slack adjuster (AGS), the design of the manual slack adjuster (NGS) is narrower. For this reason, it is necessary to use an additional spacer disc (Pos. 53) for correct positioning, as shown in the following illustration.

K3 brake camshaft	
Example illustration: Groove for circlip (Pos.54) 	
Manual slack adjuster (NGS)	Automatic slack adjuster (AGS)
Example illustration: 	Example illustration: 
Pos. 53: Spacer disc $\varnothing 39/58/6$ gigant Material No. 703024022	

The gigant team is happy to answer any questions you may have and wishes you a safe journey.

Created/reviewed:

Approved:

2020.06.18	HU	2020.06.19	KK
Date	Signature	Date	Signature